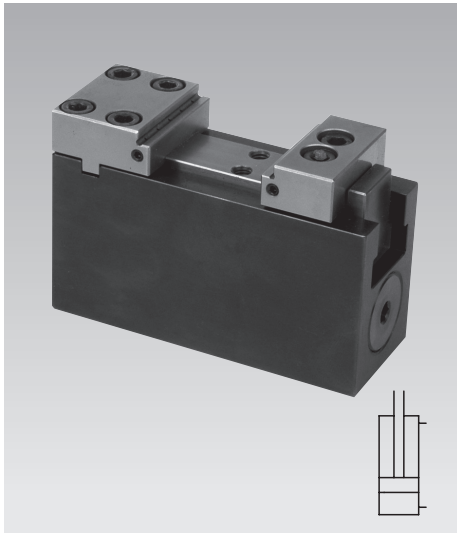




## Fixture Clamp with Fixed Jaw

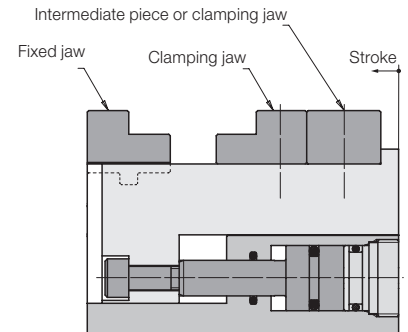
max. clamping force 9.5 kN, jaw width 40 mm,  
 double acting, max. operating pressure 250 bar



### Advantages

- Very compact design
- High rigidity and precision
- Strokes 5 and 30 mm
- Double-acting function
- Fixtures without tubes possible
- Exchangeable jaws
- Pneumatic contact or seat control in the fixed jaw possible
- Good swarf protection
- Port for central lubrication
- Mounting position: variable

### Function



### Application

The fixture clamps are used for machining of dimensionally stable workpieces in single or multiple clamping fixtures.

Due to their compact design they can be arranged in a very limited space.

Fixture clamps are especially suitable for series manufacturing in automated mode.

The double-acting cylinder function combined with central lubrication and good swarf protection guarantees a high process safety.

### Description

The fixture clamp with fixed jaw consists of a very small basic body with integrated hydraulic cylinder which actuates the movable jaw.

All threads and ports are at the bottom to allow a space-saving arrangement of several clamping points in a very limited space.

If fixing from below is not possible an adaptor plate for manifold mounting or tube connection is available. As accessory also blanks of clamping jaws are available for adaptation to the workpiece contour.

The fixed jaw can be equipped with a pneumatic seat control.

### Important notes

The fixture clamp is only suitable for exterior clamping.

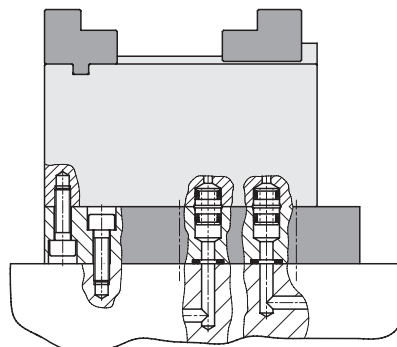
Lubricate at the latest after 500 clamping cycles the clamping slide via the central lubrication.

Never use the complete clamping stroke to guarantee safe clamping of the workpiece.

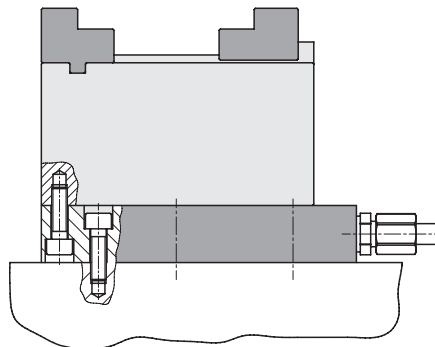
Max. operating temperature 80 °C.

Operating conditions and other data see data sheet A 0.100.

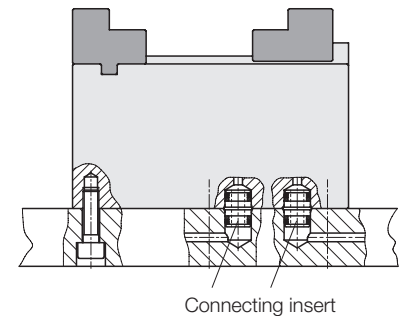
### Fixing from above with accessory adaptor plate Drilled channels



### Fitting connection



### Fixing from below Drilled channels

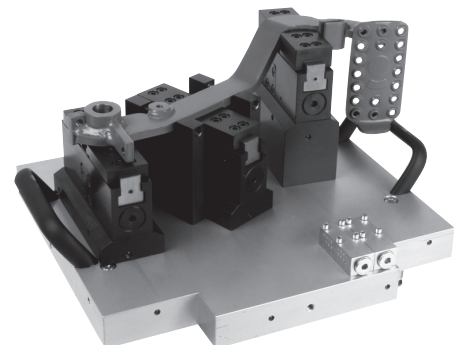


### Accessories

Fixed jaw, clamping jaws and adaptor plate are not included in the delivery of the fixture clamp and have to be ordered separately as accessory.

### Application example

Clamping fixture for a pedal of a freight vehicle.





Clamping stroke 5 mm: Part no. 4413001

Technical data

Clamping force max.	[kN]	9.5
Clamping stroke	[mm]	5
Jaw width	[mm]	40
Max. flow rate	[cm <sup>3</sup> /s]	25
Stroke volume Clamping	[cm <sup>3</sup> ]	2.5
Unclamping	[cm <sup>3</sup> ]	1.9
Weight approx.	[kg]	1.66

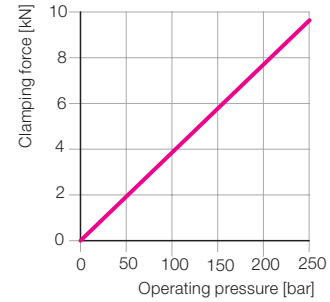
Adaptor plate (accessory)

Weight approx.	[kg]	1.3
Part no.		0441300

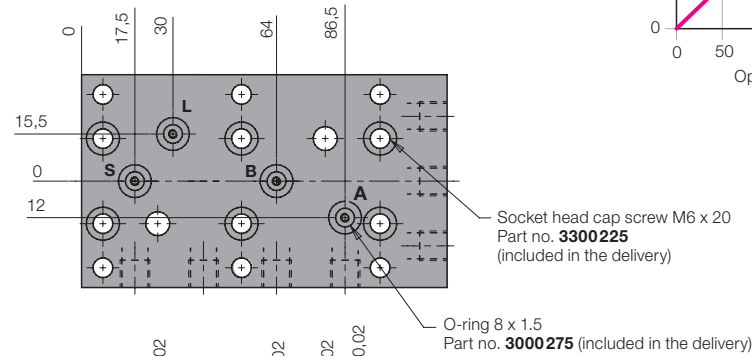
Article available on request

Clamping force diagram

(Height of the clamping jaw 15 mm)



Accessory: adaptor plate  
 View from below

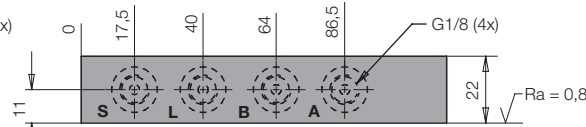
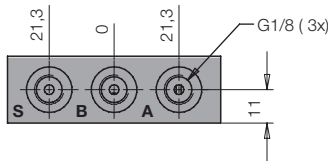
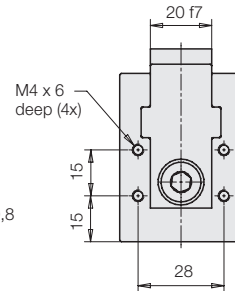
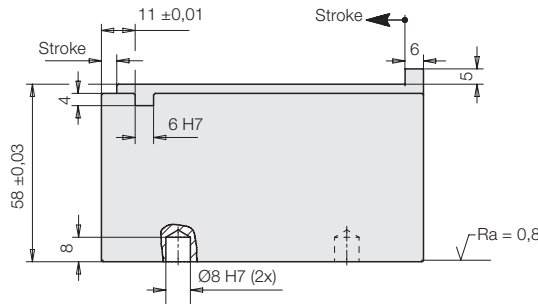
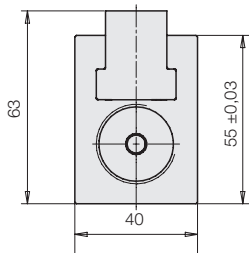
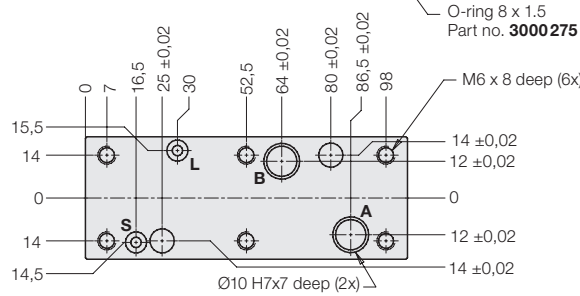


- A = Clamping
- B = Unclamping
- S = Central lubrication
- L = Air for seat control

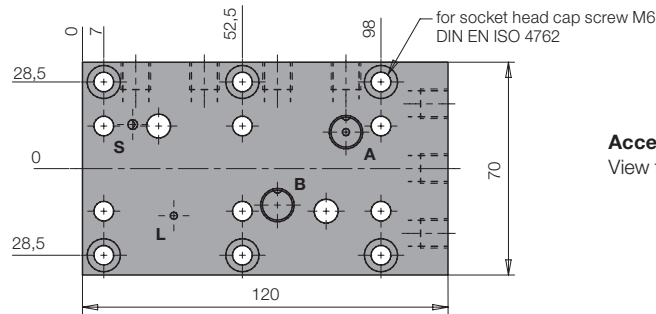
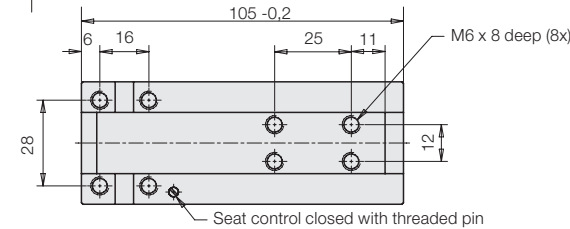
Clamping and unclamping

each Ø10 H7 x 7 deep for connecting insert 9210132 (included in the delivery), see also page F 9.300

Seat control and central lubrication with O-ring 3001842 (5x1 mm) (included in the delivery)



Accessory: adaptor plate  
 Side views



Accessory: adaptor plate  
 View from above



**Clamping stroke 30 mm: Part no. 4413031**

**Technical data**

Clamping force max.	[kN]	9.5
Clamping stroke	[mm]	30
Jaw width	[mm]	40
Max. flow rate	[cm <sup>3</sup> /s]	25
Stroke volume Clamping	[cm <sup>3</sup> ]	15
Unclamping	[cm <sup>3</sup> ]	12
Weight approx.	[kg]	2.24

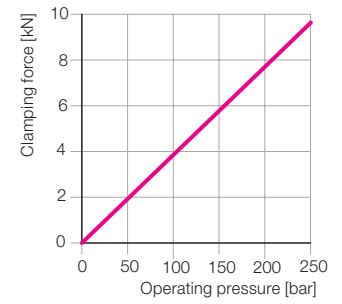
**Adaptor plate (accessory)**

Weight approx. [kg] 1.8  
Part no. **0441303**

Article available on request

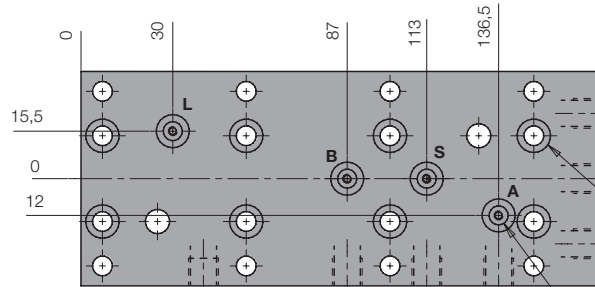
**Clamping force diagram**

(Height of the clamping jaw 15 mm)



**Accessory: adaptor plate**

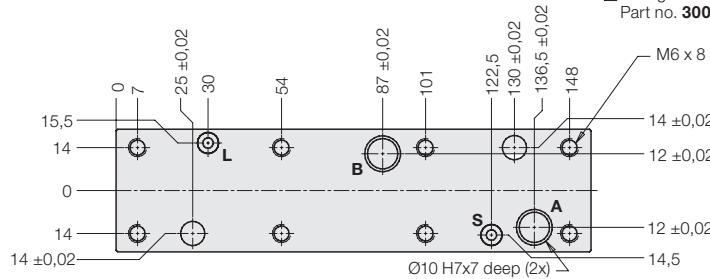
View from below



Socket head cap screw M6x20  
Part no. **3300225**  
(included in the delivery)

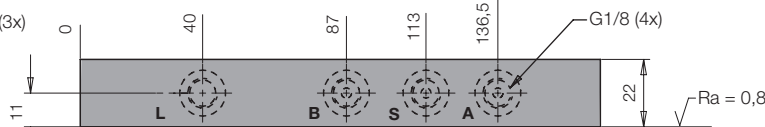
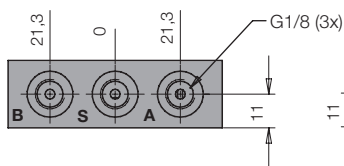
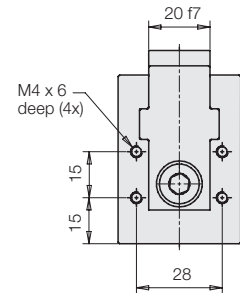
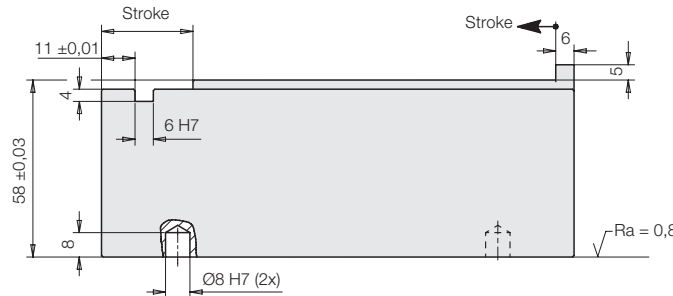
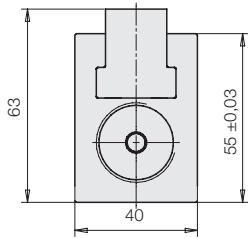
O-ring 8 x 1.5  
Part no. **3000275** (included in the delivery)

- A** = Clamping
- B** = Unclamping
- S** = Central lubrication
- L** = Air for seat control

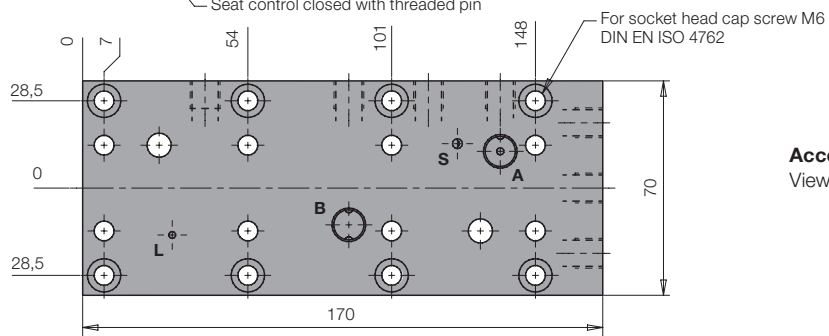
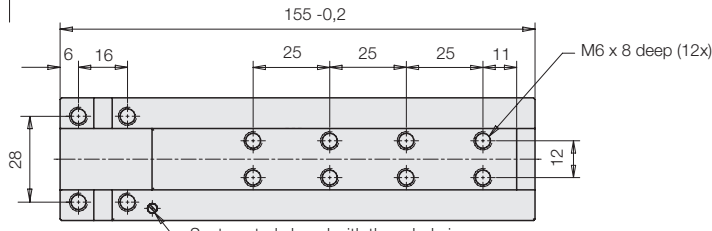


**Clamping and unclamping**  
each Ø10 H7 x 7 deep for  
connecting insert **9210132**  
(included in the delivery),  
see also page F 9.300

**Seat control and central lubrication**  
with O-ring **3001842** (5 x 1 mm)  
(included in the delivery)



**Accessory: adaptor plate**  
Side views



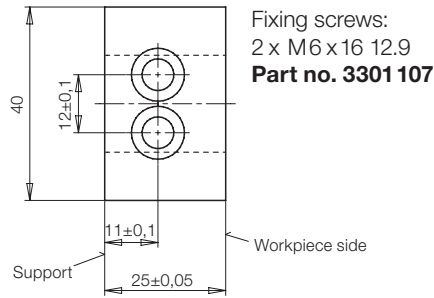
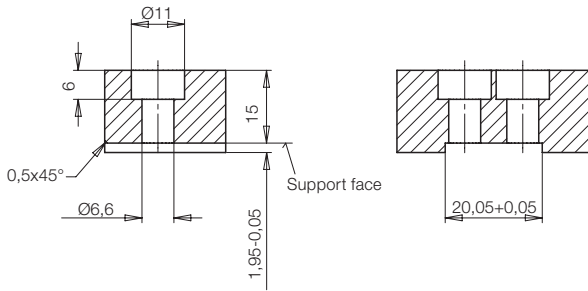
**Accessory: adaptor plate**  
View from above



Accessory - clamping jaws

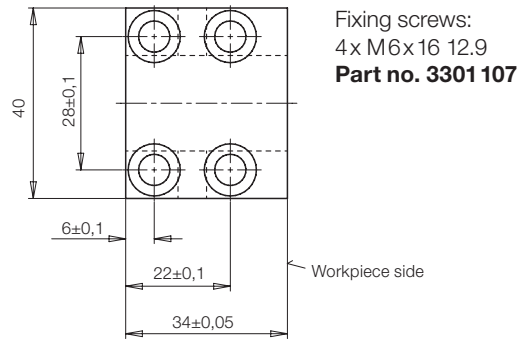
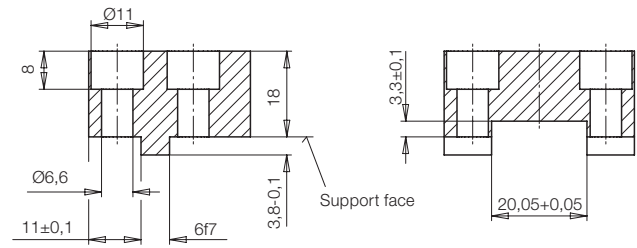
Versions	Clamping jaw blanks
Material	16 MnCr5 smooth

**Clamping jaw: Part no. 3548070**



**Fixed jaw: Part no. 3548071**

Article available on request



Self-made clamping jaws

Clamping jaws and fixed jaws are manufactured according to the contour of the workpiece to be clamped.

The max. height of the clamping jaw X at 250 bar operating pressure is indicated in the below chart.

If the operating pressure is lower, the clamping jaws and the fix jaws can be designed higher as per the below diagram.

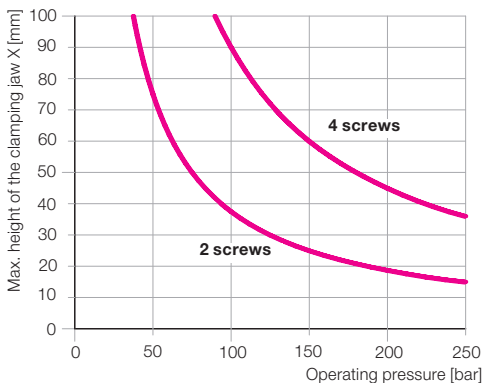
Important note

The clamping jaws must always be supported by the provided support, since the fixing screws are not in the position to compensate the generated clamping forces.

Max. height of the clamping jaws X at max. operating pressure of 250 bar

Fixing screws for clamping jaws	M6x16 – 12.9
X [mm] with 2 screws	15
X [mm] with 4 screws	36

Max. height of the clamping jaw X as a function of the operating pressure



Fixing of the clamping jaws

