

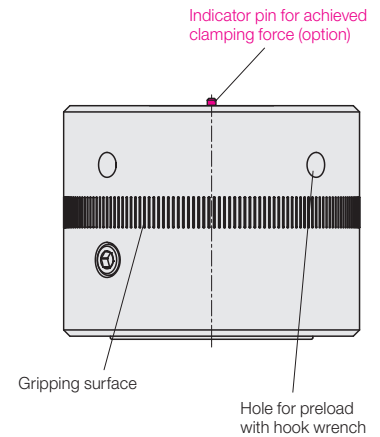


Clamping Nuts, Hydro-Mechanical
with through-hole thread and optional clamping force display



Advantages

- Temperature resistance up to 120 °C
- Safe clamping with visual clamping force display (as an option)
- High clamping force with low torque
- Easy to retrofit
- Clamping nut with through-hole thread, therefore high adaptability to varying heights of clamping edges and tolerances
- No need for adaptation of the tie rod length
- Easy clamping and unclamping by hand
- Maintenance free
- Maximum force density in the smallest space



Application

- Clamping and locking of dies on press bed and ram
- When highest clamping force is required in the smallest possible space
- If no hydraulic power unit is available

Description

Following manual positioning of the clamping nut against the clamping edge, the integral hydraulic cushion is preloaded by turning the hexagon socket. A low torque is transmitted to a high clamping force.

For the version without clamping force display, use a torque wrench to ensure safe and defined build-up of the clamping force.

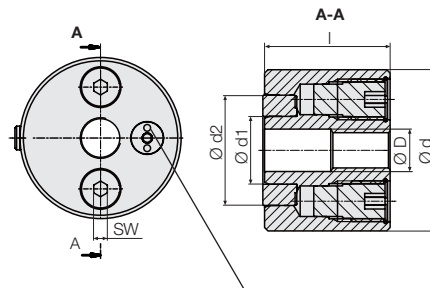
In the version with clamping force display, the clamping force indicator pin projects when the clamping force is reached.

Admissible temperature difference ± 20 °C

Temperature resistance up to max. 120 °C.

Clamping nut

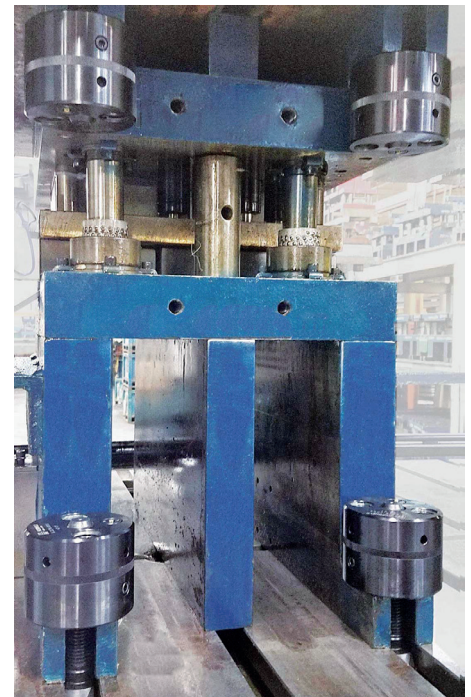
with two tightening screws



Projection of the indicator pin of the optical clamping force indicator when the nominal clamping force is reached:

- Types 2273 and 2274:** 2,0 mm
- Types 2275, 2276 and 2277:** 2,5 mm

Application example



Technical data

Clamping force	[kN]	15	30	60	100	100	150
Max. stroke*	[mm]	2	2	2	2	2	2
Tightening torque	[Nm]	9	9	9	30	30	40
D		M12	M16	M 20	M 24	M 30	M 30
d	[mm]	47	56	70	95	108	112
d1	[mm]	20	25	30	40	48	50
d2	[mm]	33	37	50	65	70	80
SW	[mm]	6	6	8	8	8	10
l	[mm]	54	61	71	75	75	90
Weight	[kg]	0.7	1.0	2.0	3.7	4.8	6.1
Clamping nut without T-bolt without clamping force display	Part no.	-	-	822750001	822760001	-	822770001
Clamping nut without T-bolt with clamping force display**	Part no.	822730002	822740002	822750002	822760002	822760005	822770002

* Stroke at maximum adjustment of tightening screws. Before activating the tightening screws preload nut with hook wrench.

** Torque wrench is not required.

Dimensions Technical data

Accessories

T-bolt, separate

For T-slot	[mm]	14	18	22	28	36
Thread		M 12	M 16	M 20	M 24	M 30
Length	[mm]	160	160	200	250	250
Property class		8.8	12.9	12.9	12.9	8.8
Weight	[kg]	0.16	0.29	0.58	1.1	1.8
Part no.		5700142	5700022	5700023	5700024	5700048

Parking station during die change

Bracket mounted with spacer bars (without connecting block)

Part no.	827531430	827531830	827532230	827532830	827533630	
T-slot width k	[mm]	14	18	22	28	36
a	[mm]	65	70	72	85	90
Bracket, separate	Part no.	2753140	2753180	2753220	2753280	2753360

Special designs on request

